



Del Morino srl , v.Caroni di Sotto 19,  
I-52033 Caprese Michelangelo AR Italy  
Ph: +39-575-791059 Fax: +39-575-791210  
E.mail: export@del-morino.it  
<http://www.del-morino.it>

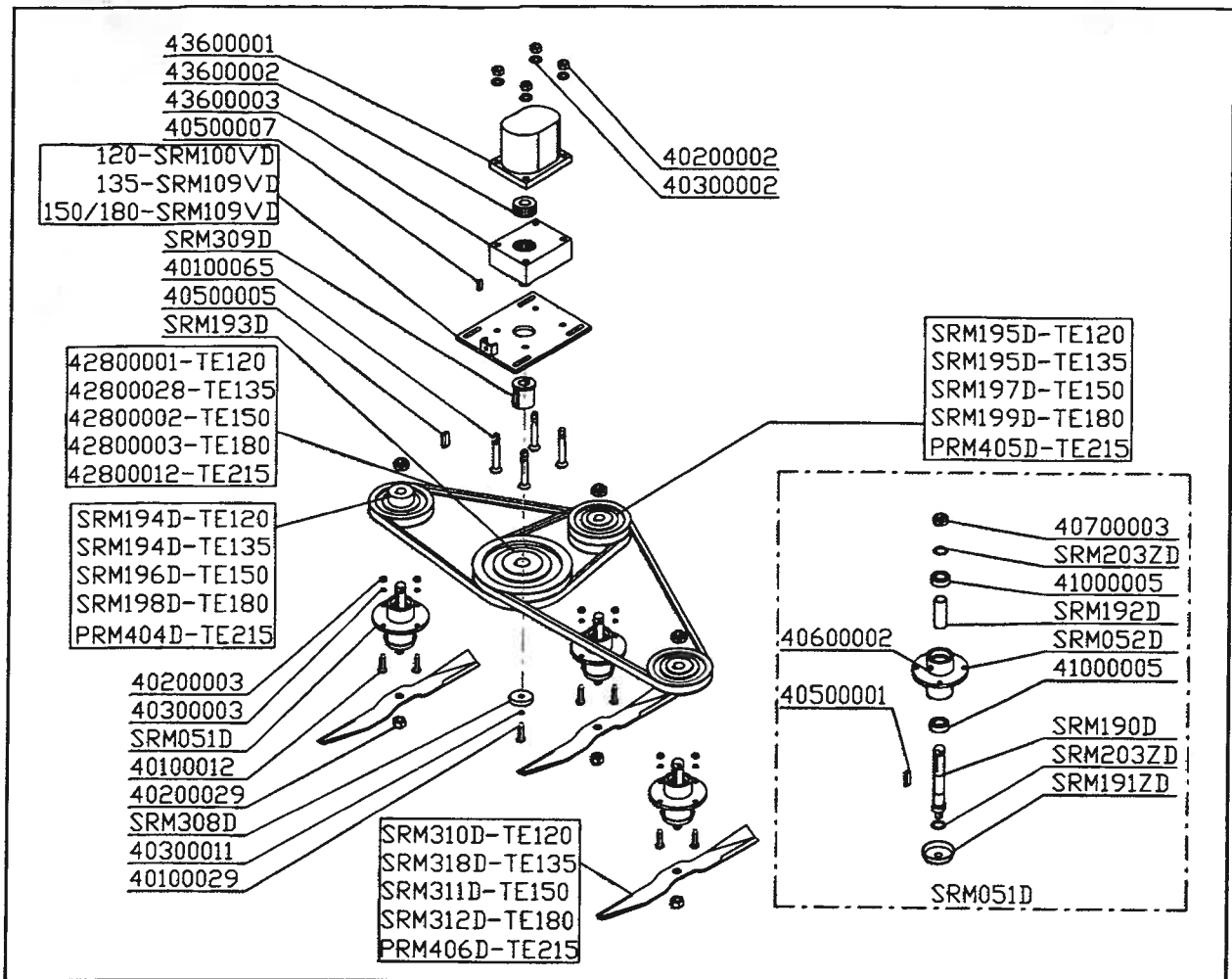
## **SPECIFIC SPARE PARTS MANUAL**

**MOWER "SRM" "PRM" HYDRAULICS**

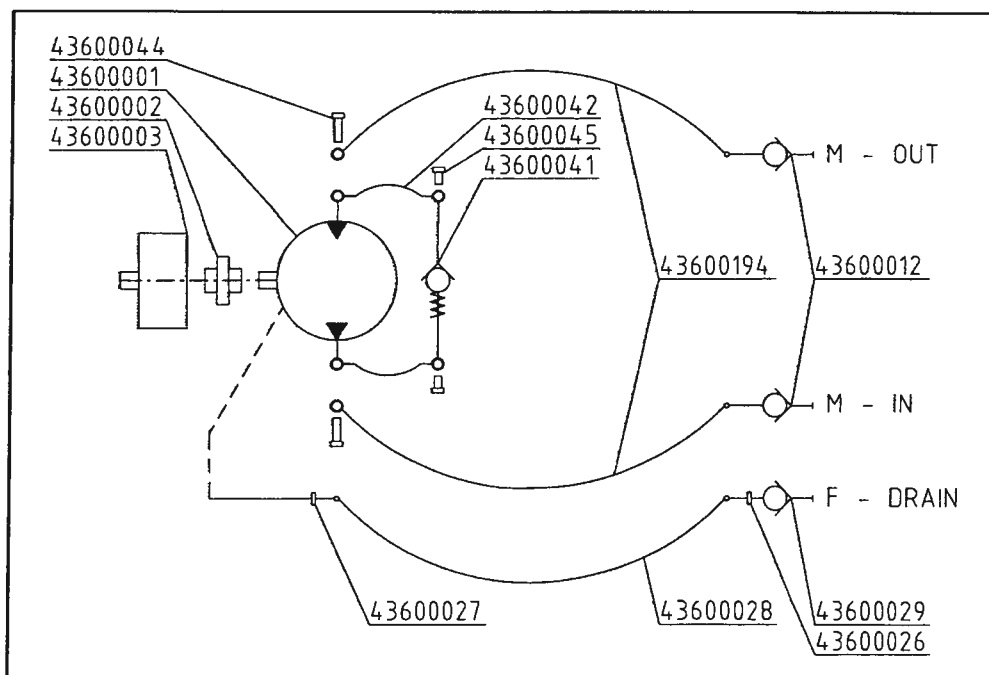
**MOWER "FM" "FMRD" HYDRAULICS**

**FOR THE OTHERS SPARE PARTS SEE :  
THE "USE AND MAINTENANCE MANUAL" CODE TE-e-09.**

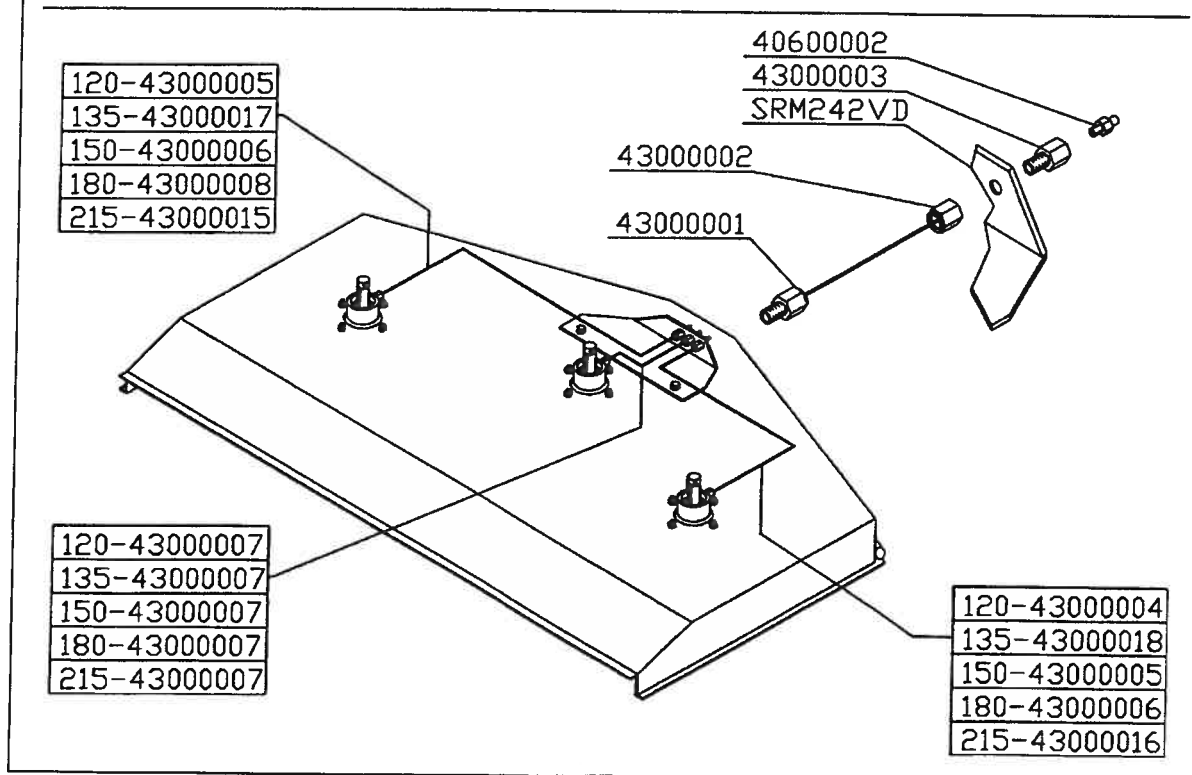
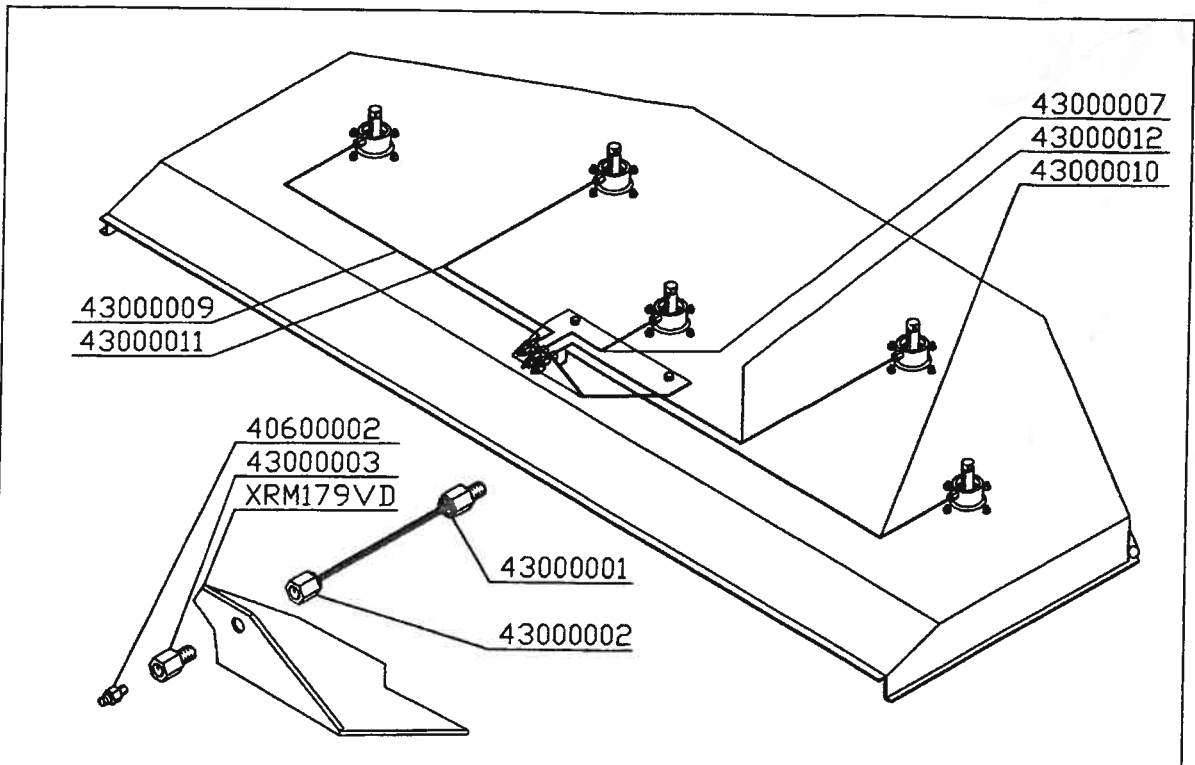
## TRANSMISSION



## HYDRAULICS SYSTEM



CENTRALIZED LUBRICATION COMPONENTS





Farm & garden equipment manufacturer

**DelMorino**

Del Morino srl , v. Caroni di Sotto 19,  
I-52033 Caprese Michelangelo AR Italy  
Ph: +39-575-791059 Fax: +39-575-791210  
E.mail: 100710.3101@compuserve.com  
<http://www.Italia.com/Delmorino>  
New E.Mail: [delmorin@vinf.ats.it](mailto:delmorin@vinf.ats.it)

SPARE PARTS LIST – MOWER TYPE PRM					
REF.	DESCRIPTION	CODE #	PRM 120	PRM 150	PRM 180
1	FRAME	PRM051VD	1		
1**	FRAME -NWR	PRM060VD	1		
1	FRAME	PRM052VD		1	
1**	FRAME -NWR	PRM061VD		1	
1	FRAME	PRM053VD			1
1**	FRAME -NWR	PRM062VD			1
2	WHEEL BRACKET FOR RUBBER WHEEL	SRM060VD	2		
2	WHEEL BRACKET FOR RUBBER WHEEL	SRM061VD		2	
2	WHEEL BRACKET FOR RUBBER WHEEL	SRM062VD			2
2*	WHEEL BRACKET FOR TIRE WHEEL	PRM057VD	2		
2*	WHEEL BRACKET FOR TIRE WHEEL	PRM058VD		2	
2*	WHEEL BRACKET FOR TIRE WHEEL	PRM059VD			2
2*	WHEEL BRACKET FOR RUBBER WHEEL -NWR	PRM063VD	2		
2*	WHEEL BRACKET FOR RUBBER WHEEL -NWR	PRM065VD		2	
3	COMPLETE RUBBER WHEEL GROUP	SRM071D	4	4	4
3*	COMPLETE TIRE WHEEL GROUP	SRM078D	4	4	4
4	COMPLETE ROTATION GROUP	SRM051D	3	3	3
5	GEAR BOX SUPPORT	SRM068VD	1		
5	GEAR BOX SUPPORT	SRM069VD		1	
5	GEAR BOX SUPPORT	SRM070VD			1
6	BELT COVER CARTER L	SRM157VD	1		
6	BELT COVER CARTER L	SRM160VD		1	
6	BELT COVER CARTER L	SRM162VD			1
7	BELT COVER CARTER R	SRM158VD	1		
7	BELT COVER CARTER R	SRM159VD		1	
7	BELT COVER CARTER R	SRM161VD			1
8	DISCHARGE CARTER	PRM054VD	1		
8	DISCHARGE CARTER	PRM055VD		1	
8	DISCHARGE CARTER	PRM056VD			1
9	BLADE	SRM200D	3		
9	BLADE	SRM201D		3	
9	BLADE	SRM202D			3
10	DRIVE PULLEY P250/2B	SRM193D	1	1	1
11	SIDE PULLEY P120/1B	SRM194D	2		
11	SIDE PULLEY P140/1B	SRM196D		2	
11	SIDE PULLEY P170/1B	SRM198D			2
12	CENTRAL PULLEY P120/2B	SRM195D	1		
12	CENTRAL PULLEY P140/2B	SRM197D		1	
12	CENTRAL PULLEY P170/2B	SRM199D			1
13	LOWER HITCH SHAFT	SRM220D	2	2	2
14	PIVOTAL VERTEX	SRM059VD	1	1	1
15	III° POINT BRACKET	SRM184VD	2		
15	III° POINT BRACKET	SRM185VD		2	2
16	TIE-ROD	SRM186VD	2		

SPARE PARTS LIST -- MOWER TYPE PRM					
REF.	DESCRIPTION	CODE #	PRM 120	PRM 150	PRM 180
16	TIE-ROD	SRM187VD		2	
16	TIE-ROD	SRM188VD			2
17	GEAR BOX SLIDE	SRM063VD	1		
17	GEAR BOX SLIDE	SRM064VD		1	1
18	SAFETY CHAIN AXIS	PRM157D	1		
18**	SAFETY CHAIN AXIS -NWR	PRM183D	1		
18	SAFETY CHAIN AXIS	PRM158D		1	
18**	SAFETY CHAIN AXIS -NWR	PRM184D		1	
18	SAFETY CHAIN AXIS	PRM159D			1
18**	SAFETY CHAIN AXIS -NWR	PRM185D			1
19	BELT B57	42800001	2		
19	BELT B69	42800002		2	
19	BELT B79	42800003			2
20	WASHER D24 UNI 6592	40300015	1	1	1
21	CROWN NUT M24 UNI 5594	40200021	1	1	1
22	SPLIT PIN 4.5X50 UNI1337	42700002	1	1	1
23	SCREW M8X16 UNI 5739	40100042	4	4	4
24	SCREW M10X25 UNI 5739	40100043	10	11	11
25	SCREW M10X30 UNI 5739	40100012	13	13	13
26	SCREW M10X70 UNI 5739	40100062	1		
26	SCREW M10X80 UNI 5739	40100044		1	1
27	SCREW M10X80 UNI 5737	40100045	6	6	6
28	SCREW M12X35 UNI 5739	40100015	2	2	2
29	SCREW M12X100 UNI 5737	40100046	1	1	1
30	SCREW M16X40 UNI 5933	40100047	4	4	4
31	WASHER D8 UNI 6592	40300002	14	14	14
32	WASHER D10 UNI 6592	40300003	42	42	42
33	WASHER D12 UNI 6592	40300004	14	14	14
34	NUT M10 UNI 5588	40200005	1	1	1
35	WASHER D22 UNI 7980	40300024	2	2	2
36	NUT CONELOCK M8 DIN 980	40200002	6	6	6
37	NUT CONELOCK M10 DIN 980	40200003	16	16	16
38	NUT CONELOCK M12 DIN 980	40200006	7	7	7
39	NUT CONELOCK M16 DIN 980	40200008	4	4	4
40	NUT M22 UNI 5588	40200025	2	2	2
41	COWLING	41900004	1	1	1
42	GEAR BOX COMER 141.003.00-540 R.P.M. LEFT	42000010	1	1	1
42***	GEAR BOX COMER 141.002.00-540 R.P.M. RIGHT	42000006	1	1	1
42***	GEAR BOX COMER 141.012.00-1000 R.P.M. LEFT-RIGHT	42000012	1	1	1
42***	GEAR BOX COMER 141.300.10-2000 R.P.M. LEFT	42000011	1	1	1
42***	GEAR BOX COMER 141.304.00-2000 R.P.M. RIGHT	42000013	1	1	1
43	GENOVESE CHAIN WIRE 7.4 -3 LINK	40900003	11	17	25
43**	GENOVESE CHAIN WIRE 7.4 - 2 LINK	40900014	22	28	30
44	CHAIN SPACER	DMK191D	10	16	24
45	SPRING PIN D3	41400001	1	1	1
46	RUBBER WHEEL SUPPORT	SRM053VD	4	4	4
46*	TIRE WHEEL SUPPORT	SRM079VD	4	4	4

SPARE PARTS LIST – MOWER TYPE PRM					
REF.	DESCRIPTION	CODE #	PRM 120	PRM 150	PRM 180
47	SPACER 2 MM	SRM203ZD	10	10	10
48	SPACER 6 MM	SRM204ZD	4	4	4
49	SPACER 13 MM	SRM205ZD	12	12	12
50	SPACER 25 MM	SRM206ZD	4	4	4
51	SPACER 32 MM	SRM207ZD	4	4	4
52	SCREW M12X110 UNI 5737	40100046	4	4	4
52*	SCREW M12X150 UNI 5737	40100049	4	4	4
53	PIN D6	41300002	4	4	4
54	RUBBER WHEEL DIAMETER 210X80	42900001	4	4	4
54*	TIRE WHEEL DIAMETER 330X125	42900002	4	4	4
55	RUBBER WHEEL BUSH	SRM232D	4	4	4
55*	TIRE WHEEL BUSH	SRM234D	4	4	4
56	HUB	SRM052VD	3	3	3
57	SHAFT	SRM190D	3	3	3
58	SPACER	SRM192D	3	3	3
59	BEARING PROTECTION	SRM191ZD	3	3	3
60	BEARING 6205 Z	41000010	6	6	6
61	TONGUE UNI 6604-A 8X7X35	40500001	3	3	3
62	SELF LOCKING NUT M18 DIN 982 FINE PITCH	40200029	3	3	3
63	SELF LOCKING NUT M25X1.5	40700003	3	3	3
64	GREASER UNI 7663-A-M6X1	40600001	4	4	4
65	PIVOTAL VERTEX BUSH	SRM233D	2	2	2
66	STANDARD CARDAN SHAFT II° CAT. L=1000	42600012	1	1	1
66***	SLIP CLUTCH CARDAN SHAFT II° CAT. L=1000	42600013	1	1	1
66***	FREE WHEEL CARDAN SHAFT II° CAT. L=1000	42600014	1	1	1
66***	BOLT CARDAN SHAFT II° CAT. L=1000	42600015	1	1	1
67**	SAFETY DEVICE -NWR	PRM186ZD	20	26	32
68	WASHER D 10X30	40300013	3	4	4
69	WASHER D 10X40	40300028	6	6	6

\* : TIRE WHEEL – IN ALTERNATIVE WITH THE SAME POSITION WITHOUT \*

\*\* : ONLY FOR DISCHARGE NOT WIND ROW

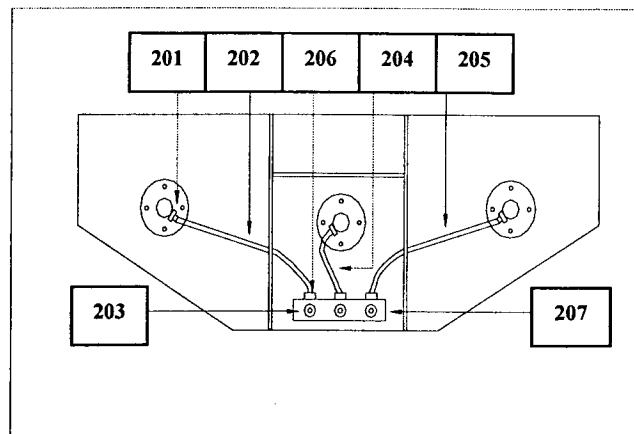
\*\*\* : IN ALTERNATIVE WITH THE SAME POSITION WITHOUT \*\*\*



**OUTSTANDING FINISHING MOWER PRM type**

**Part list**

**Variation : centralized lubrication ⇒ CL**



REF.	DESCRIPTION	CODE #	120	150	180
203	EXTENSIONS CONNECTORS	43000003	3	3	3
202	PLASTIC TUBE	43000004	1		
202	PLASTIC TUBE	43000005	1	1	
202	PLASTIC TUBE	43000006		1	1
204	PLASTIC TUBE	43000007	1	1	1
205	PLASTIC TUBE	43000008			1
201	CONNECTORS M	43000001	3	3	3
206	CONNECTORS F	43000002	3	3	3
207	SUPPORT	SRM242VD	1	1	1



Farm & garden equipment manufacturer

# DelMorino

Del Morino srl , v.Caroni di Sotto 19,  
I-52033 Caprese Michelangelo AR Italy  
Ph: +39-575-791059 Fax: +39-575-791210  
E.mail: 100710.3101@compuserve.com  
<http://www.Italia.com/Delmorino>  
New E.Mail: [delmorin@vinf.ats.it](mailto:delmorin@vinf.ats.it)

## SPARE PARTS LIST – FINISHING MOWER PRM TYPE

NEW REF.	OLD REF.	DESCRIPTION	NEW CODE	OLD CODE			
1	31	FRAME – 120	PRM051VD	50801			
1**	-	FRAME – NWR	PRM060VD	-			
1	31	FRAME – 150	PRM052VD	50802			
1**	-	FRAME – NWR	PRM061VD	-			
1	31	FRAME – 180	PRM053VD	50803			
1**	-	FRAME – NWR	PRM062VD	-			
2	32	WHEEL BRACKET FOR RUBBER WHEEL – 120	SRM060VD	10026			
2	32	WHEEL BRACKET FOR RUBBER WHEEL – 150	SRM061VD	10056			
2	32	WHEEL BRACKET FOR RUBBER WHEEL – 180	SRM062VD	10086			
2*	-	WHEEL BRACKET FOR TIRE WHEEL	PRM057VD	-			
2*	-	WHEEL BRACKET FOR TIRE WHEEL	PRM058VD	-			
2*	-	WHEEL BRACKET FOR TIRE WHEEL	PRM059VD	-			
2*	-	WHEEL BRACKET FOR RUBBER WHEEL –NWR	PRM063VD	-			
2*	-	WHEEL BRACKET FOR RUBBER WHEEL – NWR	PRM065VD	-			
3	-	COMPLETE RUBBER WHEEL GROUP	PRMRG	-			
3*	-	COMPLETE TIRE WHEEL GROUP	PRMRP	-			
4	80	COMPLETE ROTATION GROUP	SRM051D	50059			
5	28	GEAR BOX SUPPORT – 120	SRM068VD	10023			
5	28	GEAR BOX SUPPORT – 150	SRM069VD	10053			
5	28	GEAR BOX SUPPORT – 180	SRM070VD	10083			
6	30	BELT COVER CARTER LEFT – 120	SRM157VD	50123			
6	30	BELT COVER CARTER LEFT – 150	SRM160VD	50124			
6	30	BELT COVER CARTER LEFT – 180	SRM162VD	50125			
7	30	BELT COVER CARTER RIGHT – 120	SRM158VD	10024			
7	30	BELT COVER CARTER RIGHT – 150	SRM159VD	10054			
7	30	BELT COVER CARTER RIGHT – 180	SRM161VD	10084			
8	-	DISCHARGE CARTER	PRM054VD	-			
8	-	DISCHARGE CARTER	PRM055VD	-			
8	-	DISCHARGE CARTER	PRM056VD	-			
9	66	BLADE – 120	SRM200D	50064			
9	66	BLADE – 150	SRM201D	50065			
9	66	BLADE – 180	SRM202D	50066			
10	55	DRIVE PULLEY P250/2B	SRM193D	50048			
11	62	SIDE PULLEY P120/1B	SRM194D	50049			
11	62	SIDE PULLEY P140/1B	SRM196D	50050			
11	62	SIDE PULLEY P170/1B	SRM198D	50051			
12	60	CENTRAL PULLEY P120/2B	SRM195D	50052			
12	60	CENTRAL PULLEY P140/2B	SRM197D	50053			
12	60	CENTRAL PULLEY P170/2B	SRM199D	50054			
13	10	LOWER HITCH SHAFT	SRM220D	50033			
14	-	PIVOTAL VERTEX	SRM059VD	-			
15	1	III° POINT BRACKET – 120	SRM184VD	10020			
15	1	III° POINT BRACKET – 150-180	SRM185VD	10050			
16	5	TIE-ROD – 120	SRM186VD	10021			



**SPARE PARTS LIST – FINISHING MOWER PRM TYPE**

<b>NEW REF.</b>	<b>OLD REF.</b>	<b>DESCRIPTION</b>	<b>NEW CODE</b>	<b>OLD CODE</b>			
16	5	TIE-ROD – 150	SRM187VD	10051			
16	5	TIE-ROD – 180	SRM188VD	10081			
17	19	GEAR BOX SLIDE – 120	SRM063VD	10022			
17	19	GEAR BOX SLIDE – 150-180	SRM064VD	10052			
18	183	SAFETY CHAIN AXIS – 120	PRM157D	50450			
18**	-	SAFETY CHAIN AXIS – NWR – 120	PRM183D	-			
18	183	SAFETY CHAIN AXIS – 150	PRM158D	50451			
18**	-	SAFETY CHAIN AXIS – NWR – 150	PRM184D	-			
18	183	SAFETY CHAIN AXIS – 180	PRM159D	50452			
18**	-	SAFETY CHAIN AXIS – NWR – 180	PRM185D	-			
19	61	BELT B57	42800001	50055			
19	61	BELT B69	42800002	50056			
19	61	BELT B79	42800003	50057			
20	56	WASHER D24 UNI 6592	40300015	50035			
21	57	CROWN NUT M24 UNI 5594	40200021	50026			
22	58	SPLIT PIN 4.5X50 UNI1337	42700002	50038			
23	18	SCREW M8X16 UNI 5739	40100042	50014			
24	14	SCREW M10X25 UNI 5739	40100043	50012			
25	67	SCREW M10X30 UNI 5739	40100012	50017			
26	27	SCREW M10X70 UNI 5739	40100062	50016			
26	27	SCREW M10X80 UNI 5739	40100044	50015			
27	46	SCREW M10X80 UNI 5737	40100045	50013			
28	-	SCREW M12X35 UNI 5739	40100015	-			
29	2	SCREW M12X100 UNI 5737	40100046	50008			
30	13	SCREW M16X40 UNI 5933	40100047	50011			
31	17-49	WASHER D8 UNI 6592	40300002	50004			
32	68-22-26	WASHER D10 UNI 6592	40300003	50002			
33	3-8	WASHER D12 UNI 6592	40300004	50001			
34	25	NUT M10 UNI 5588	40200005	50022			
35	12	WASHER D22 UNI 7980	40300024	50003			
36	50	NUT CONELOCK M8 DIN 980	40200002	50025			
37	23-25-69	NUT CONELOCK M10 DIN 980	40200003	50022			
38	4-9-45	NUT CONELOCK M12 DIN 980	40200006	50020			
39	20	NUT CONELOCK M16 DIN 980	40200008	50021			
40	11	NUT M22 UNI 5588 FINE PITCH	40200025	50021			
41	16	COWLING	41900004	50034			
42	15	GEAR BOX COMER 141.003.00-540 R.P.M. LEFT	42000010	50058			
42***	-	GEAR BOX COMER 141.002.00-540 R.P.M. RIGHT	42000006	-			
42***	-	GEAR BOX COMER 141.012.00-1000 R.P.M. L-F	42000012	-			
42***	-	GEAR BOX COMER 141.300.10-2000 R.P.M. LEFT	42000011	-			
42***	-	GEAR BOX COMER 141.304.00-2000 R.P.M. RIGHT	42000013	-			
43	182	GENOVESE CHAIN WIRE 7.4 –3 LINK	40900003	50074-75-76			
43**	-	GENOVESE CHAIN WIRE 7.4 –2 LINK	40900014	-			
44	110	CHAIN SPACER	DMK191D	50068-69-70			
45		SPRING PIN D3	41400001				
46	33	RUBBER WHEEL SUPPORT	SRM053VD	50039			
46*	-	TIRE WHEEL SUPPORT	SRM079VD	-			

SPARE PARTS LIST – FINISHING MOWER PRM TYPE							
NEW REF.	OLD REF.	DESCRIPTION	NEW CODE	OLD CODE			
47	34-84	SPACER 2 MM	SRM203ZD	50040			
48	35	SPACER 6 MM	SRM204ZD	50041			
49	36-43	SPACER 13 MM	SRM205ZD	50042			
50	37	SPACER 26 MM	SRM206ZD	50043			
51	38	SPACER 33 MM	SRM207ZD	50044			
52	42	SCREW M12X110 UNI 5737	40100046	50010			
52*	-	SCREW M12X150 UNI 5737	40100049	-			
53	39	PIN D6	41300002	50031			
54	41	RUBBER WHEEL DIAMETER 210X80	42900001	50045			
54*	-	TIRE WHEEL DIAMETER 330X125	42900002	-			
55	44	RUBBER WHEEL BUSH	SRM232D	50047			
55*	-	TIRE WHEEL BUSH	SRM234D	-			
56	81	HUB	SRM052VD	50059			
57	87	SHAFT	SRM190D	50063			
58	82	SPACER	SRM192D	50060			
59	86	BEARING PROTECTION	SRM191ZD	50062			
60	83	BEARING 6205 Z	41000010	50061			
61	88	TONGUE UNI 6604-A 8X7X35	40500001	50035			
62	89	SELF LOCKING NUT M18 DIN 982 FINE PITCH	40200029	50027			
63	85	SELF LOCKING NUT M25X1.5	40700003	50036			
64	40	GREASER UNI 7663 – A-M6X1	40600001	50029			
65	6	PIVOTAL VERTEX BUSH	SRM233D	50032			
66	-	STANDARD CARDAN SHAFT II° CAT L=1000	42600012	-			
66***	-	SLIP CLUTCH CARDAN SHAFT II° CAT L=1000	42600013	-			
66***	-	FREE WHEEL CARDAN SHAFT II° CAT L=1000	42600014	-			
66***	-	SHEAR PIN CARDAN SHAFT II° CAT L=1000	42600015	-			
67**	-	SAFETY DEVICE - NWR	PRM186ZD	-			
68		WASHER D 10X30	40300013				
69	47	WASHER D 10X40	40300028	50006			

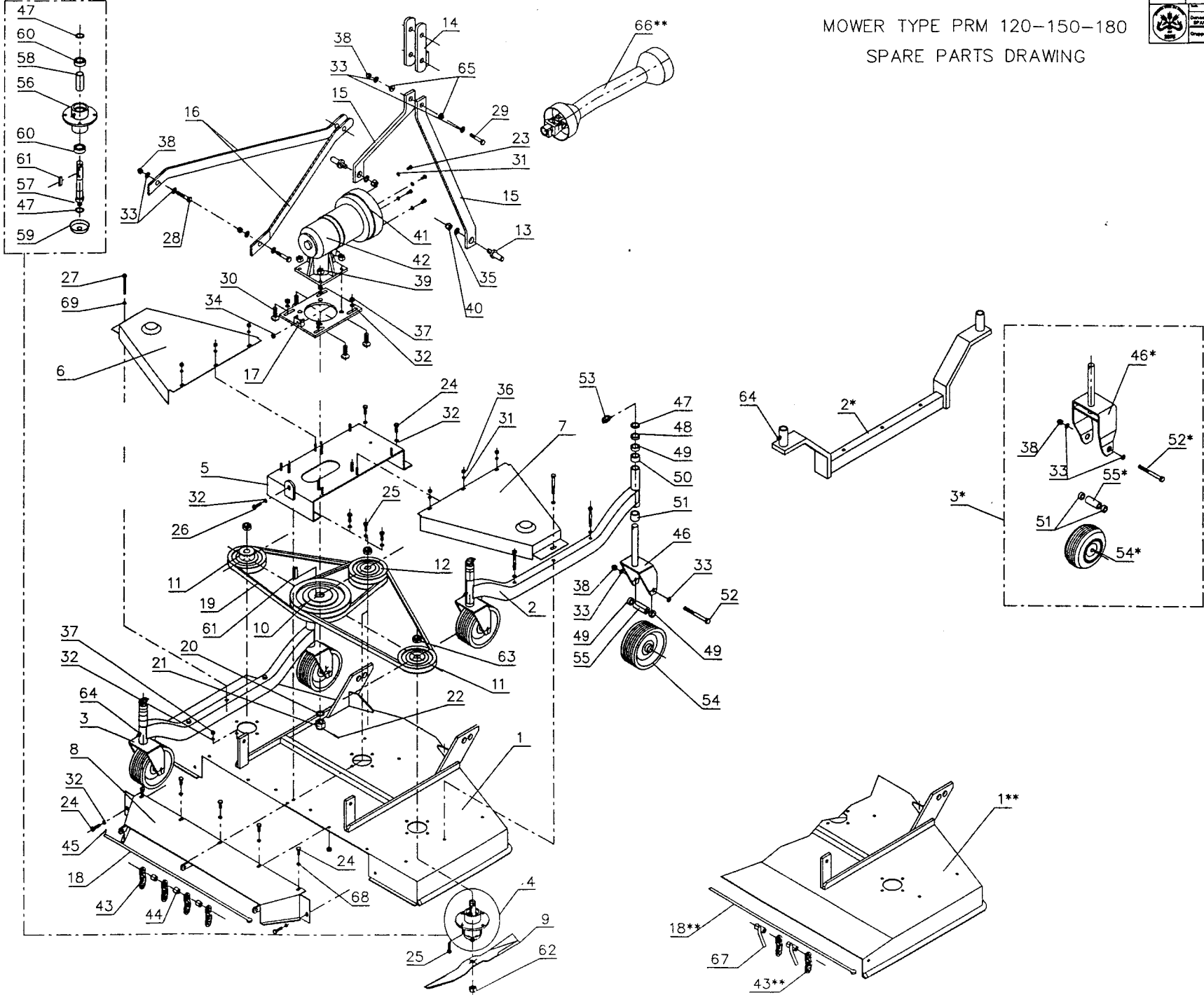
\* : TIRE WHEEL – IN ALTERNATIVE WITH THE SAME POSITION WITHOUT \*

\*\* : ONLY FOR DISCHARGE NOT WIND ROW

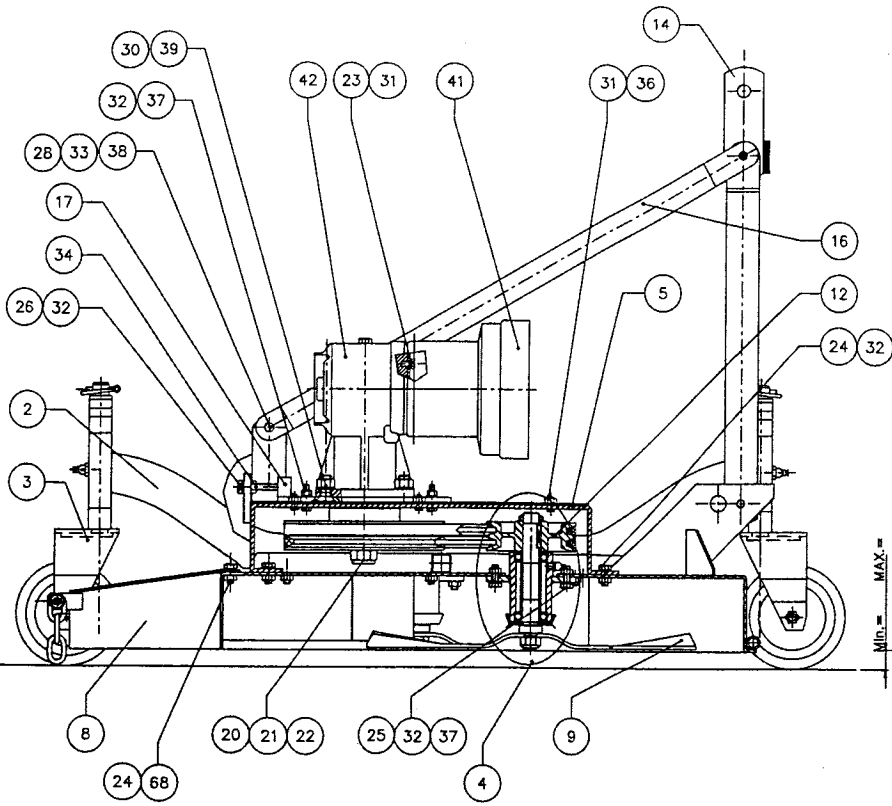
\*\*\* : IN ALTERNATIVE WITH THE SAME POSITION WITHOUT \*\*\*

MOWER TYPE PRM 120-150-180  
SPARE PARTS DRAWING

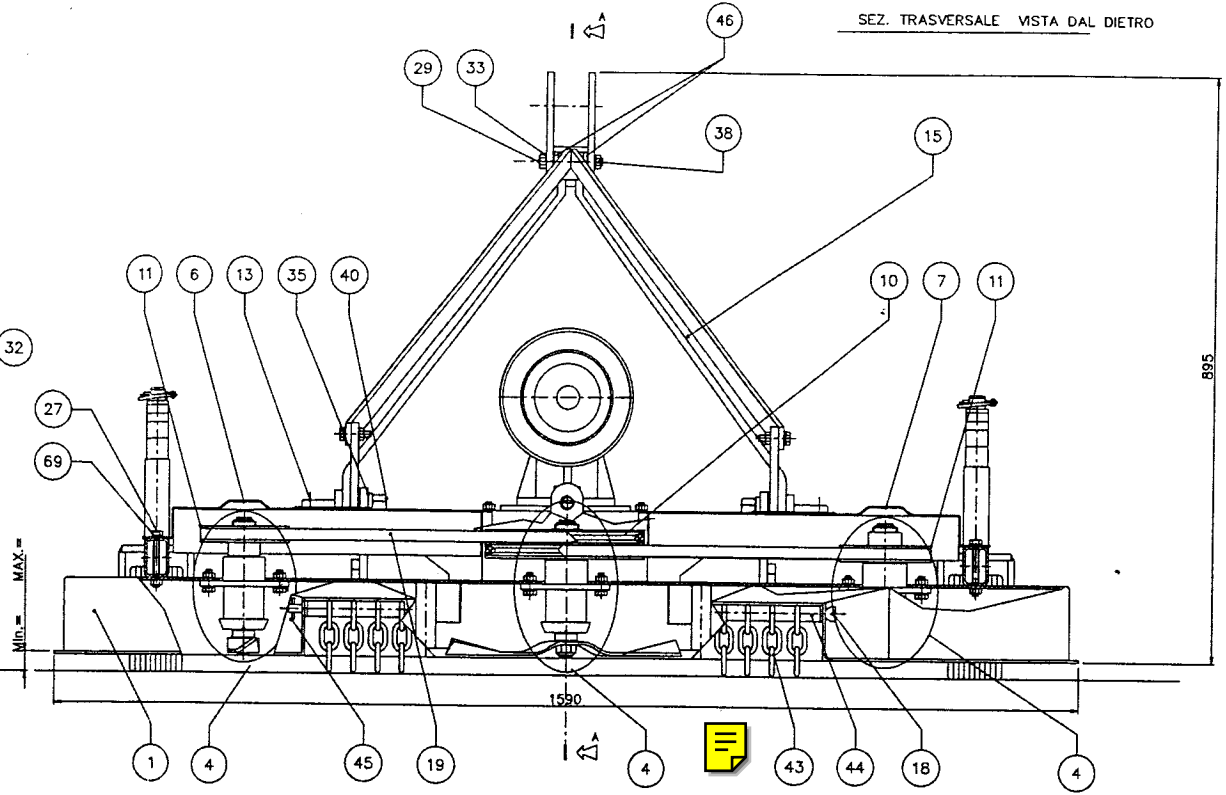
Scale	1:1
Material	Steel
Part No.	120-150-180
Rev.	01
Drawn by	DMOR
Checked by	SRM
Group	SRM



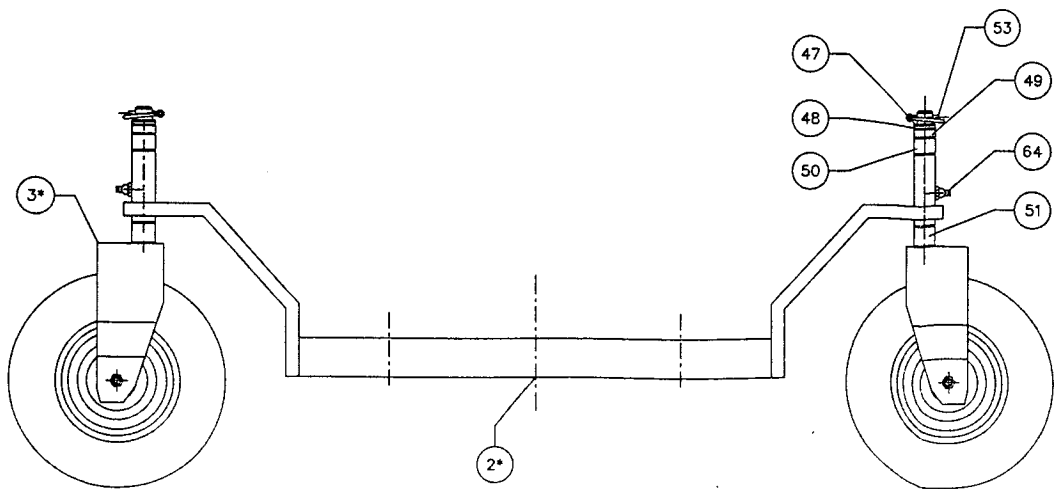
SEZ. A-A



SEZ. TRASVERSALE VISTA DAL DIETRO



895

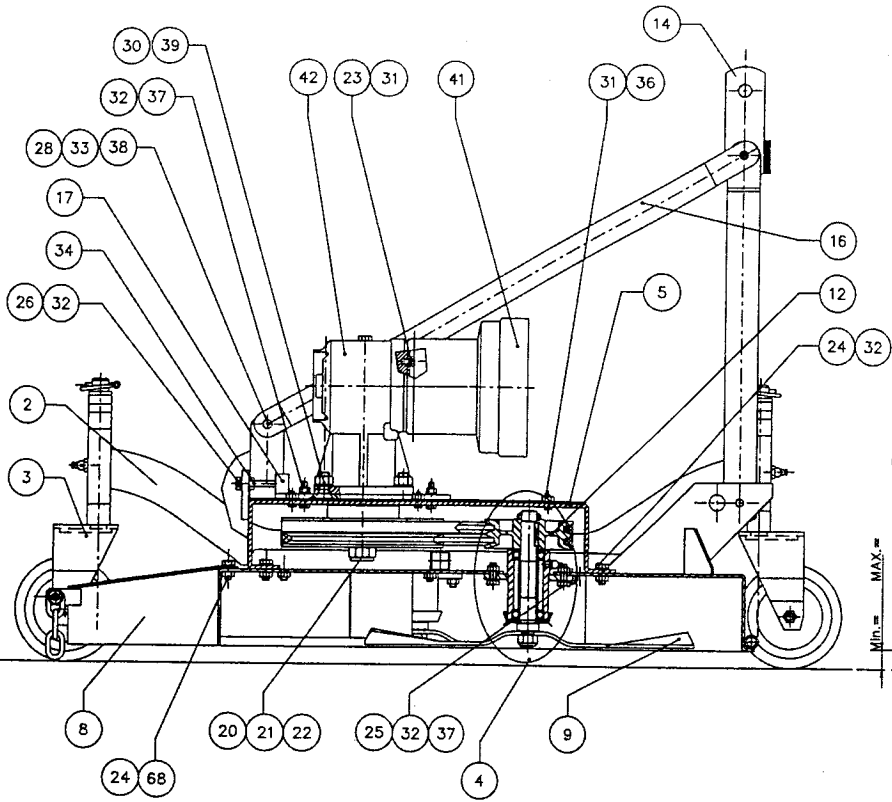


PORTARUOTE E GRUPPO RUOTE PER VERSIONE CON RUOTE PNEUMATICHE

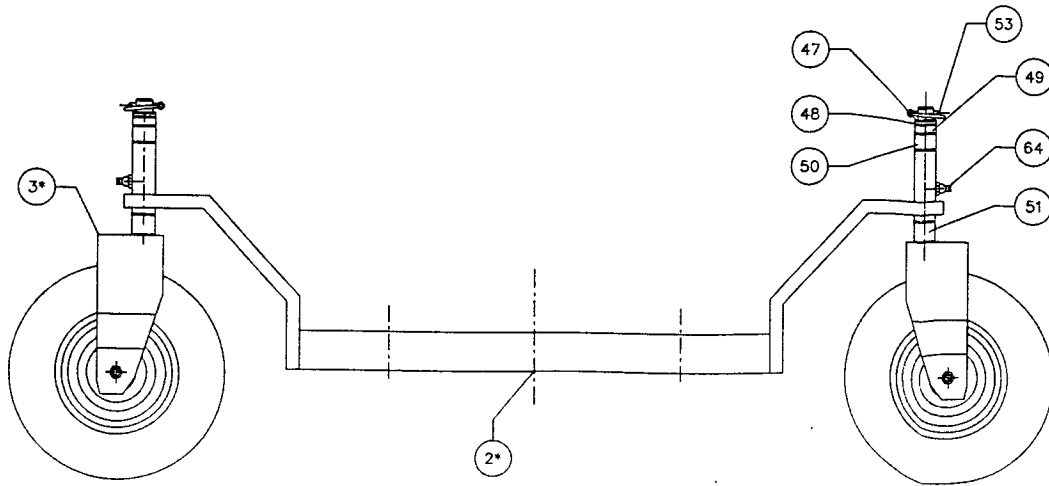
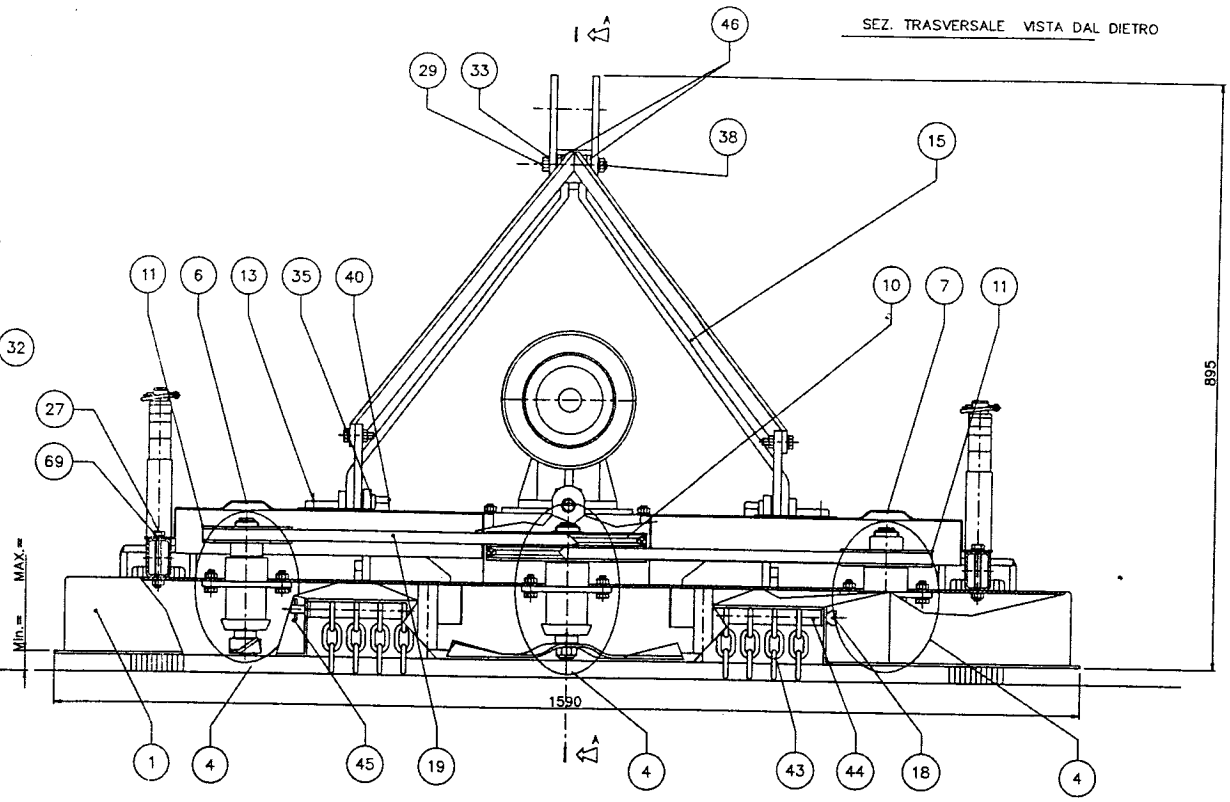


11/98	App.				
DATA	MODIFICA				
Appr.	Dis.	Nota	Dis. N.	PRM-001-A1-0	Codice
Denominazione PRM 120					
ATTACCO PIVOTTANTE					
Gruppo INSIEME					
Scale	1:4				
Disegn.	ARTUSO M.				
Data	14/12/98				

SEZ. A-A



SEZ. TRASVERSALE VISTA DAL DIETRO



PORTARUOTE E GRUPPO RUOTE PER VERSIONE CON RUOTE PNEUMATICHE



11/88	Appr.				
DATA	MODIFICA				
Appr.	Data	Nota	-	Dib. N°	PRM-001-A1-0
Denominazione PRM 120					Codice
ATTACCO PIVOTTANTE					Q.tà
Gruppo INSIEME					Scala 1:4
					Disegn. ARTUSO M.
					Data 14/12/88

895

C:\DWG\DWG\PRM\VECC\6351

La ditta IRI, incaricata di ricerca e sviluppo di legge in proprietà, del presente disegno con diritto di riproduzione e comunicazione a terzi senza alcun autorizzazio-